

# RESIN FOLDING HOOK (W/SOFT CLOSING FUNCTION)

TEST  
METHOD 18

NF-47D



## Features

- Soft closing function automatically closes the hook gradually after items on hook are removed.
- The tip of the hook has a grip for easy opening.
- Streamlined design with minimum protrusion when the hook is closed.
- Made with flame-retardant grade (UL94V-0 compliant) polycarbonate.
- Also available in special colours. Contact us for details.

## Application

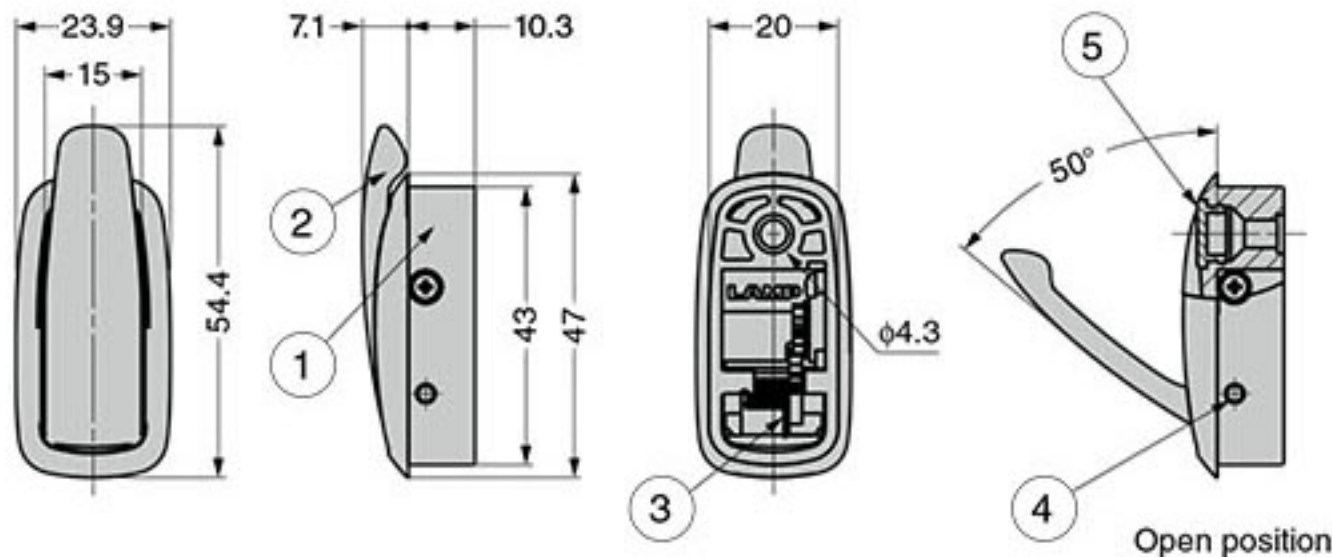
Cabinets, train cars, etc.

## Remarks

Attach the cushioning rubber after installation.

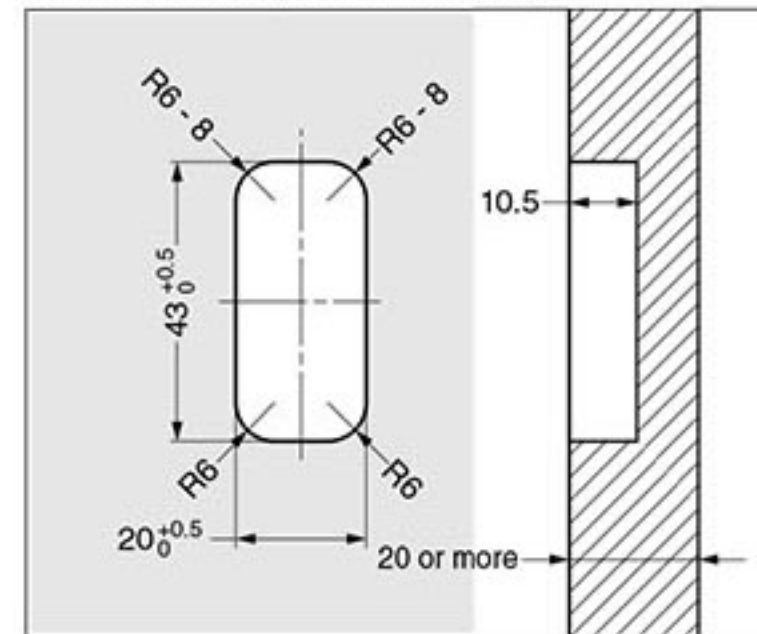
## Recommended Screw

M4 cross-recessed screw or size 4 countersunk head tapping screw



## Cut Out Dimensions

Wood Mounting (20 mm or thicker)



No.	Part Name	Material	Finish
①	Main Body	Polycarbonate (PC)	Partial Blast Finish
②	Arm		
③	Spring	Stainless Steel (SUS304)	Plain
④	Shaft		
⑤	Cushioning Rubber	Chloroprene Rubber (CR)	-

CAD	Item Code	Item Name	Colour	Load Capacity N	Load Capacity kgf	Weight (g)	Box (pcs)	Carton (pcs)
2030	110-041-087	NF-47D-GR	Grey	75	7.6	11	40	360
2030	110-041-088	NF-47D-DGR	Dark Grey				40	360
2030	110-041-089	NF-47D-WT	White				40	360